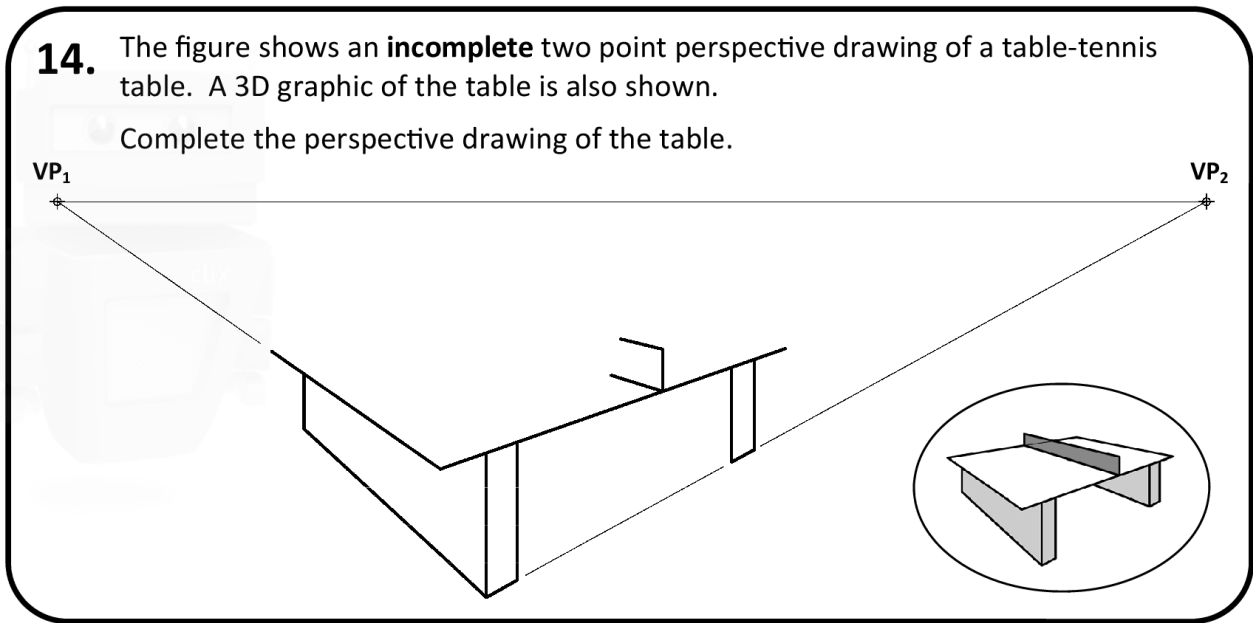


Perspective

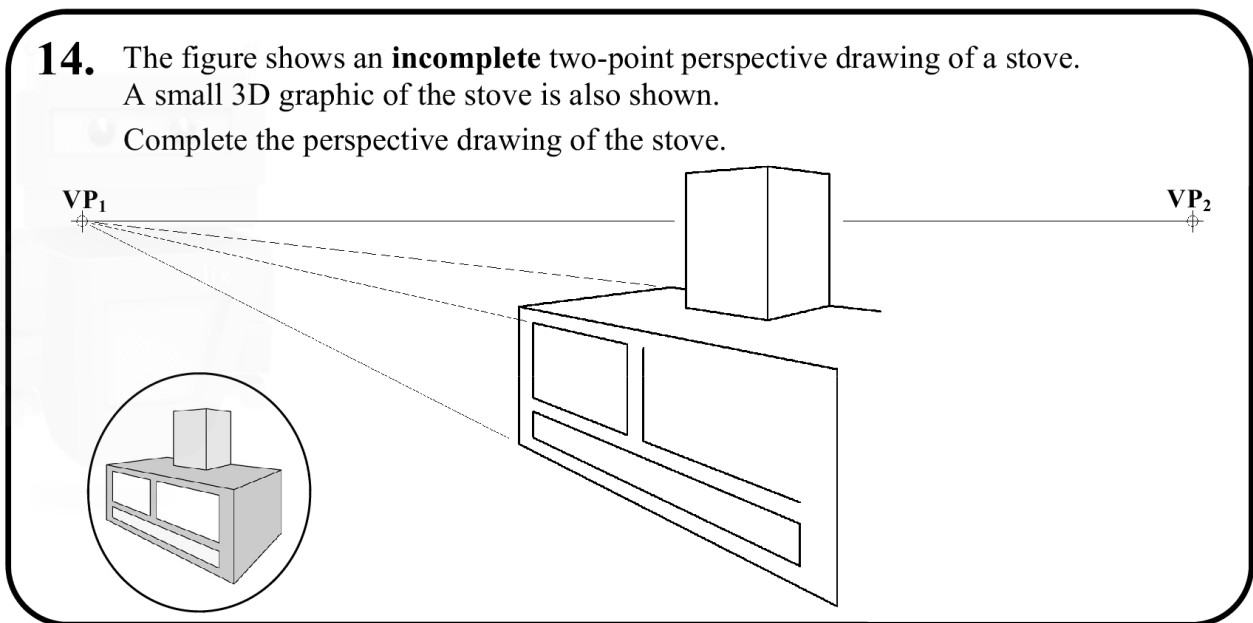
Question 1

- 14.** The figure shows an **incomplete** two point perspective drawing of a table-tennis table. A 3D graphic of the table is also shown.
 Complete the perspective drawing of the table.



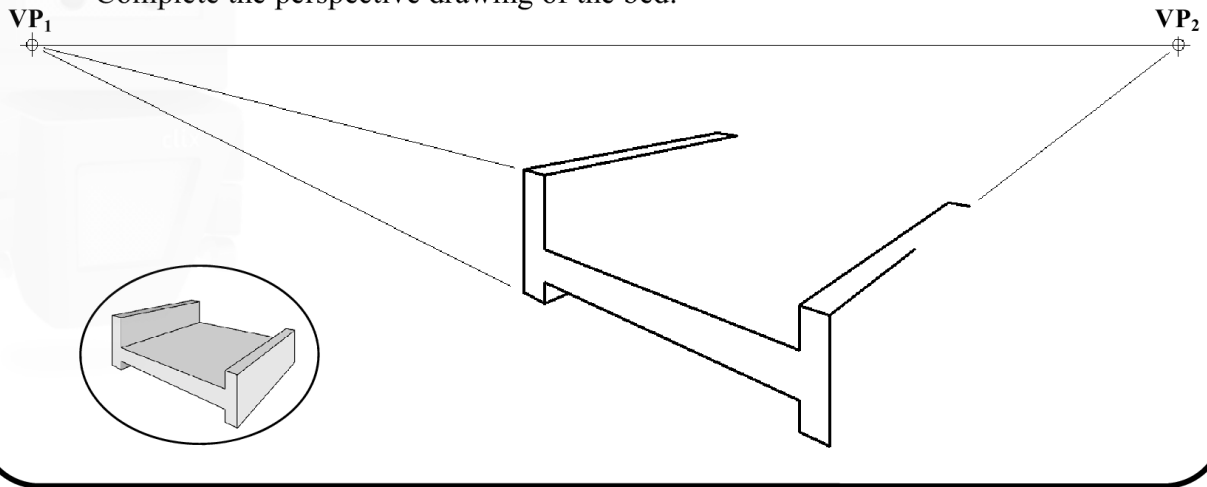
Question 2

- 14.** The figure shows an **incomplete** two-point perspective drawing of a stove. A small 3D graphic of the stove is also shown.
 Complete the perspective drawing of the stove.



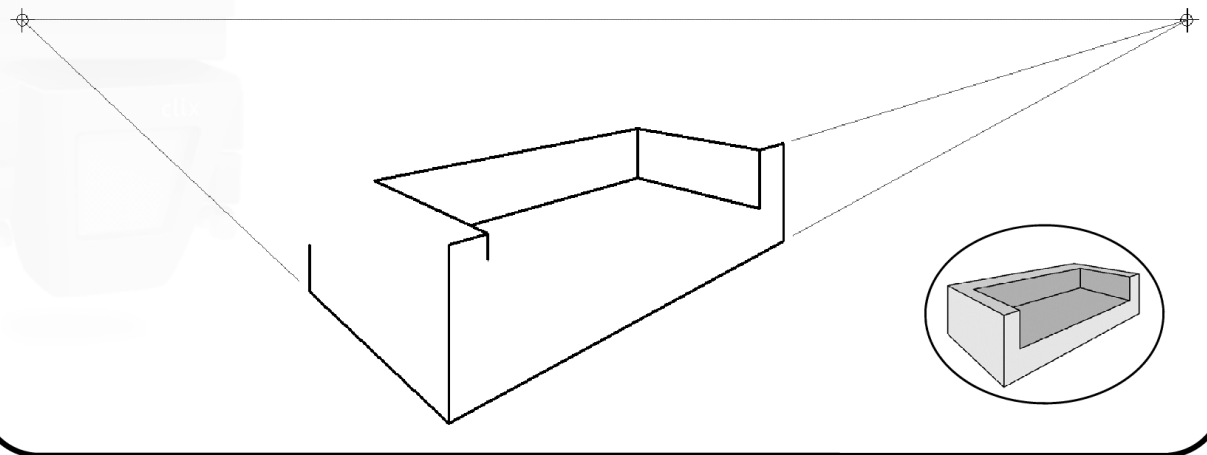
Question 3

- 14.** The figure shows an **incomplete** two point perspective drawing of a bed. A small 3D graphic of the bed is also shown. Complete the perspective drawing of the bed.



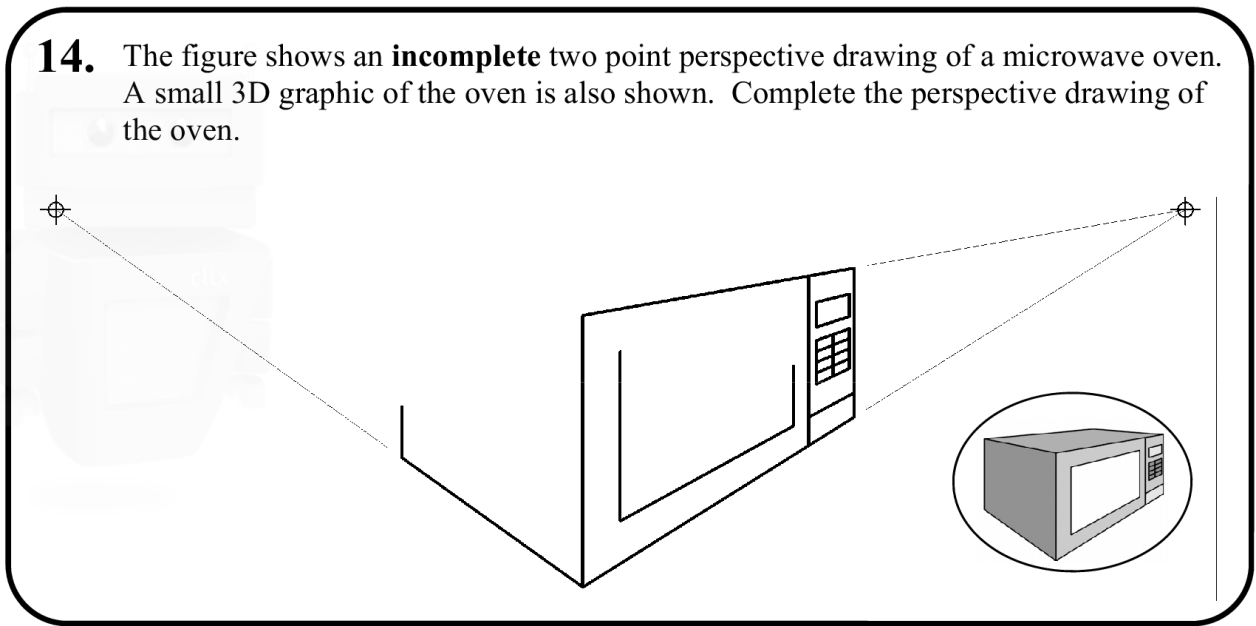
Question 4

- 14.** The figure shows an **incomplete** two point perspective drawing of a couch. A small 3D graphic of the couch is also shown. Complete the perspective drawing of the couch.



Question 5

14. The figure shows an **incomplete** two point perspective drawing of a microwave oven. A small 3D graphic of the oven is also shown. Complete the perspective drawing of the oven.



Question 6

- 14 The figure shows an incomplete perspective drawing of a toaster. A small 3D graphic of the toaster is also shown. Complete the perspective drawing.

